



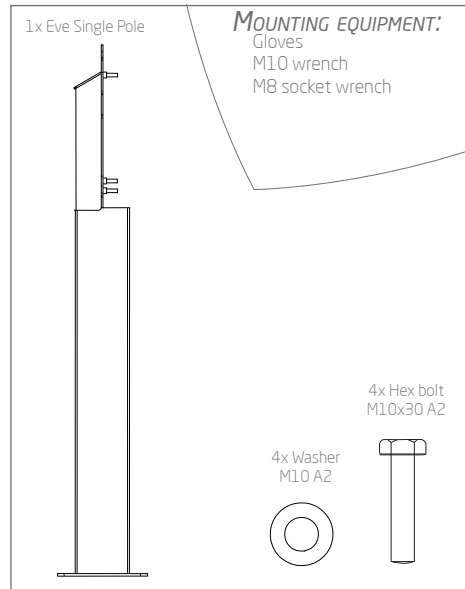
EVE SINGLE POLE
ART. NR. 803873036-ICU

 This document contains installation instructions for the Eve Single Pole. Please always refer to our website for the most up-to-date and complete manual for the product. www.alfen.com/en/downloads.

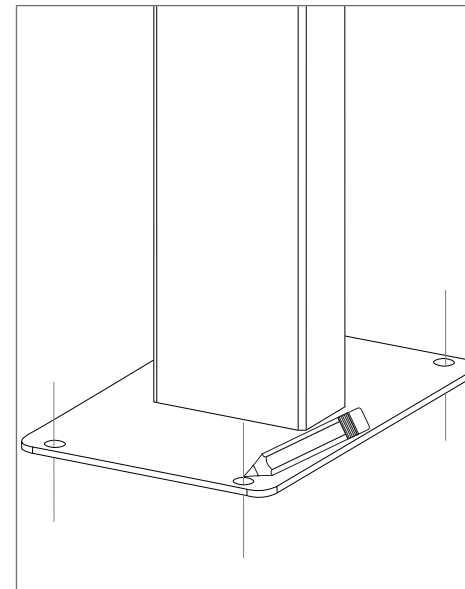
The Eve Single Pole is able to support one Eve Single S- or Pro-line charging station and can be mounted directly on the ground or on an accessory Concrete Base or Metal Base.

 The electric system must be disconnected from every power source before performing any installation or maintenance work!

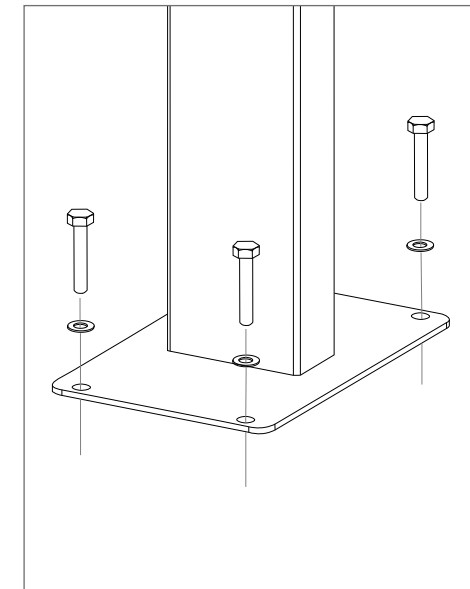
Material	Stainless Steel, AISI304
Finishing	Powder coating
Color	RAL 7043 (Traffic grey)
Dimension product	1180x300x200 mm
Dimension package	1200x360x280 mm
Total weight	Ca. 9,4 kg



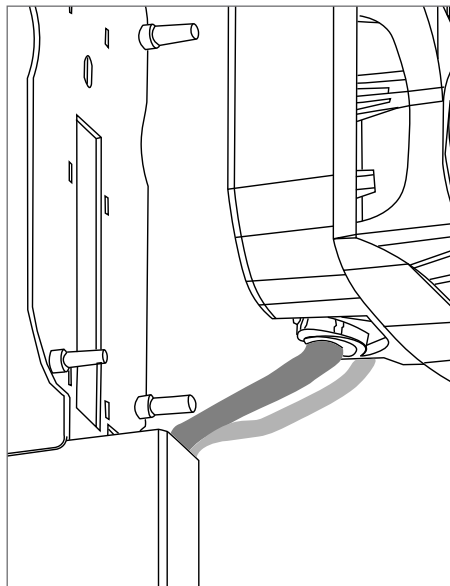
Package contents



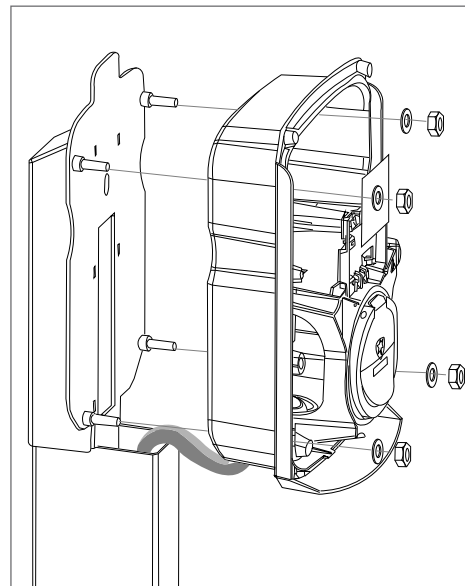
1. Use the base plate as a marking template when placing directly on the ground.



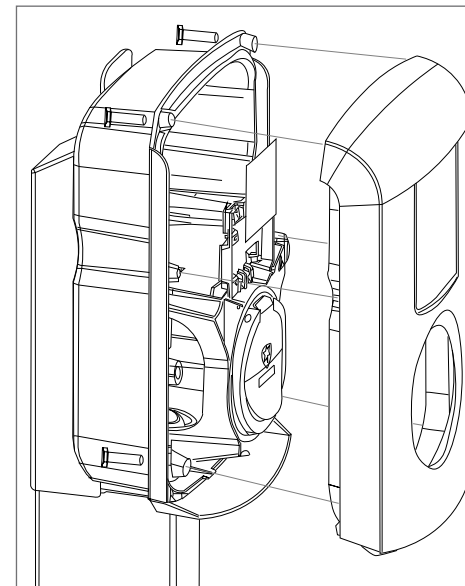
2. Secure the mounting pole with the included washers and bolts.



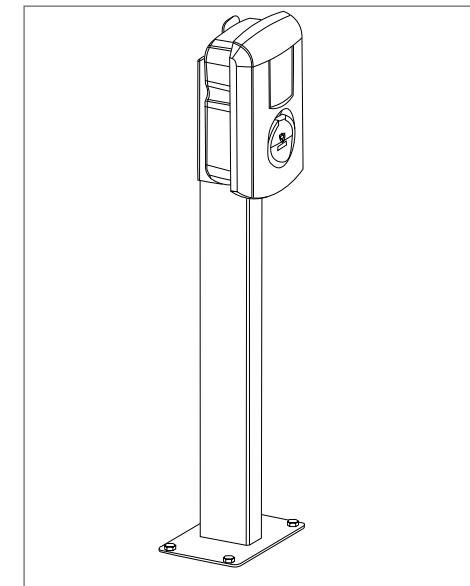
3. Connect the wires according to the instructions of the Eve Single S- or Pro-line manual.



4. Fix the charging station in place with the M8 washers and nuts included with the charging station.



5. Fix the front cover back onto the charging station with the bolts from the charging station.



6. Installation completed.